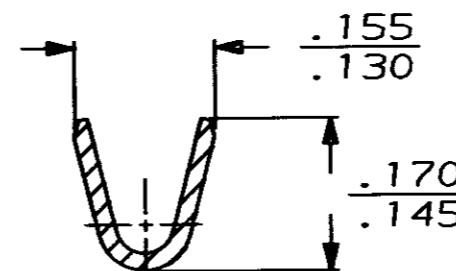
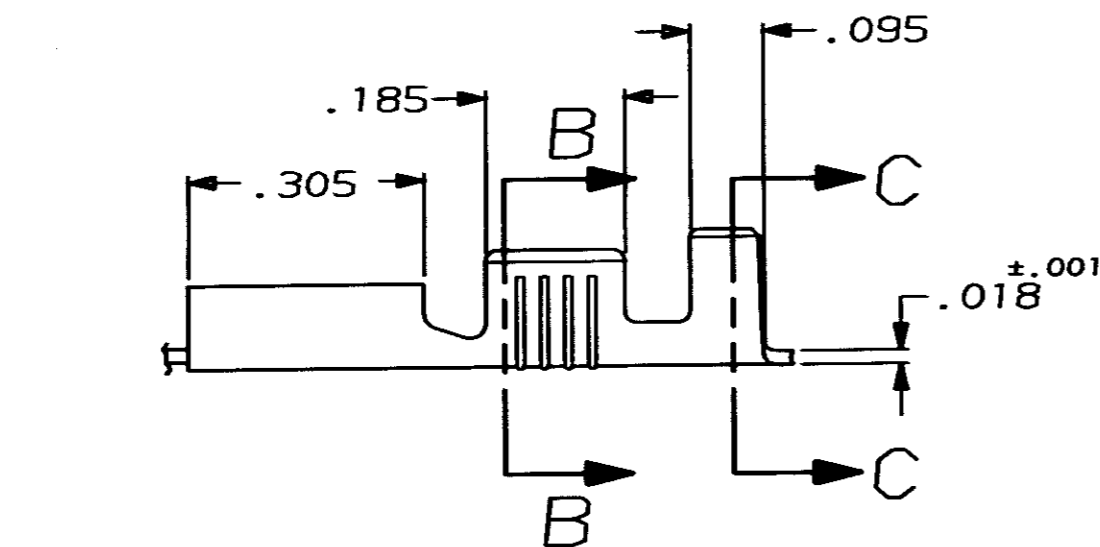


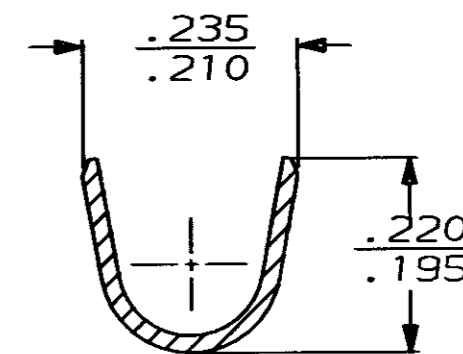
FITS .250 SERIES FASTON TABS

SECTION A-A  
SCALE 5:1

- 1 CONTINUOUS STRIP ON REELS.
- 2 MAX FIRST ENGAGEMENT FORCE, 20 LBS, USING GAGE 100505.
- 3 FEED TO BE  $.840 \pm .005$ .



SECTION B-B  
SCALE 5:1



SECTION C-C  
SCALE 5:1

.120-.170 DIA	18-14 AWG	.032	41832	
INSULATION RANGE	WIRE SIZE	MATING TAB THK $\pm .001$	PART NO	
DO NOT SCALE PRINT. UNLESS SPECIFIED DIMENSIONS ARE IN INCHES TOLERANCES ON: 2 PLC DEC $\pm$ - 3 PLC DEC $\pm$ .015 ANGLES $\pm$ -	DR 6/13/91 JR RUTH	<b>AMP</b> AMP Incorporated Harrisburg, PA 17105-3608		
	CHK 6/13/91 MS FEHER			
	MATERIAL #4H BRASS	APPD 6/13/91 C MEYERS	NAME RECEPTACLE, FASTON™ .250 SERIES	
FINISH TIN .000080 MIN	APPD 6/13/91 D REINER	SIZE B	CAGE CODE 00779	DRAWING NO 41832
	PRODUCT SPEC -	SCALE 4:1		SHEET 1 OF 1
	APPLICATION SPEC -			
	WEIGHT -			